



Z Series

High Performance Aerospace and Instrumentation Resistors



RoHS
COMPLIANT

Temperature Coefficient from -55°C to +125°C with 25 °C as reference:





• Z Foil Typical TCR and Maximum Spread:

Resistance value	100 Ω to 600KΩ	80 Ω to 100Ω	50 Ω to 80Ω	25Ω to 50Ω	10Ω to 25Ω
TCR in ppm/°C	±0.2 ±0.6	±0.2 ±0.8	±0.2 ±1.0	±0.2 ±1.3	±0.2 ±1.6

- Selected TCR Tracking: to 0.5 ppm/°C (matched sets).
- Power Coefficient of Resistance (PCR): ± 5 ppm

FEATURES

- Non-inductive and non-capacitive.
- Power Rating: 0.6 to 2.0 Watts at +70°C; 0.3 Watts to 1.0 Watts at +125°C; (depending on model)
- Load Life Stability: ± 150ppm MaxΔR (@125°C, 2,000 hrs at 0.3 W.
- Current Noise: 0.010 μV (RMS) / Volt of Applied Voltage
- Thermal EMF: 0.05 μV / °C Typical.
- Rise Time: 1.0 Nanosecond, effectively no ringing.
- Terminal finishes available: lead free or tin/lead alloy.

	Model	Value Range	Max Voltage	Power		Dimensions [inches]	Tolerances Available
				70°C	125°C		
	Z201 (Z201L)¹	10Ω to 100KΩ	300	0.6W	0.3W	W: 0.105 ±0.010 L: 0.300 ±0.010 H: 0.326 ±0.010 ST: 0.010 Min SW: 0.035 ±0.005 LL: 1.000 ±0.125 LS: 0.150 ±0.005	±0.005%: 80Ω - 600KΩ ±0.01%: 25Ω - 600KΩ ±0.02%: 10Ω - 600KΩ
	Z204	10Ω to 200KΩ	350	1.0W	0.5W	W: 0.160 Max L: 0.575 Max H: 0.413 Max ST: 0.035 ±0.005 SW: 0.050 ±0.005 LL: 1.000 ±0.125 LS: 0.400 ±0.020	
	Z205	10Ω to 300KΩ				1.5W	
	Z206	10Ω to 600KΩ	500	2.0W Up to 400K	1.0W Over 400K	W: 0.260 Max L: 1.200 Max H: 0.413 Max ST: 0.035 ±0.005 SW: 0.050 ±0.005 LL: 1.000 ±0.125 LS: 0.900 ±0.020	

¹Z201L resistors have a 0.2" lead space.

For greater or lesser ohmic values, or for customized physical configurations, please contact Texas Components' Applications Engineering

Rev 09/10

Texas Components Corporation 1716 West Sam Houston Parkway North. Houston, Texas 77043

Phone:(713) 468-3882 Fax: (713) 461-2098 www.texascomponents.com

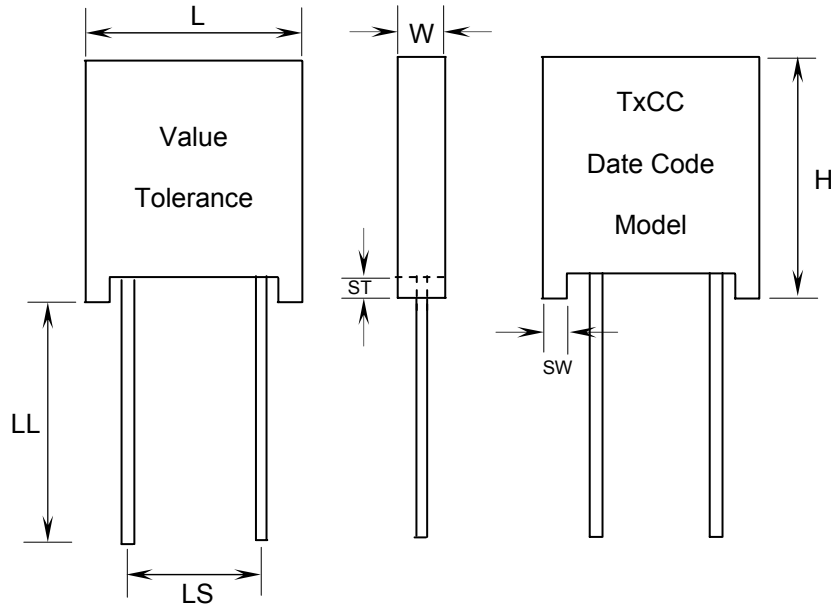
Email: resistorinfo@texascomponents.com



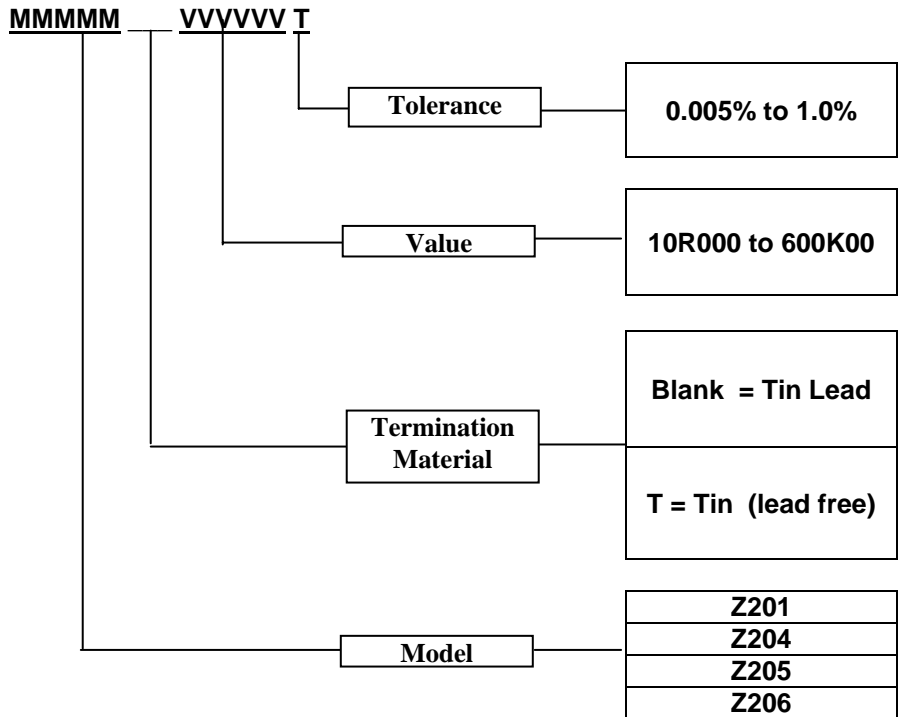
VISHAY PRECISION GROUP
BULK METAL® FOIL TECHNOLOGY



DIMENSIONS



ORDERING INFORMATION



Example:
To order a Z201 resistor with a resistance value of 1,002.5 ohms, tolerance 0,005% with tin/lead leads, the ordering information would be:
Z201 1K0025 0.005%

Rev 09/10