

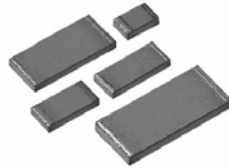
DSCC Specifications

Discrete Surface Mount Foil Resistors

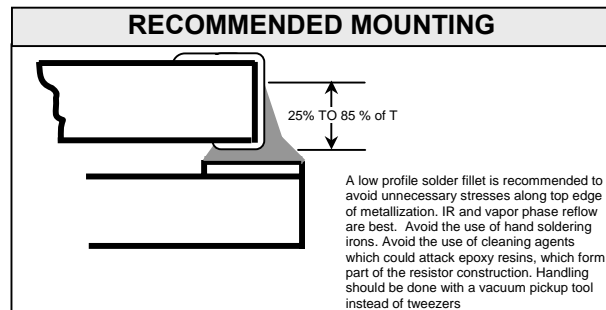
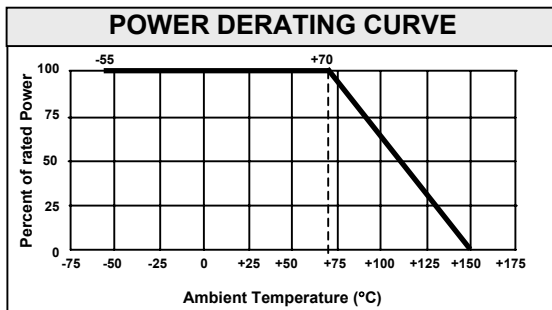
FEATURES

- Load Life Stability (70°C for 2000 hours): $\pm 0.05\%$ Max.
- Resistance Range: 10Ω to $100K\Omega$.
- Tolerance: $\pm 0.02\%$ to 1.0%
- Operating temperature: $-55\text{ }^\circ\text{C}$ to $125\text{ }^\circ\text{C}$.
- Maximum Voltage: $\leq \sqrt{\text{Power} \times \text{Resistance}}$

- Shelf Life Stability: 0.005%
- Low Current Noise: -40dB.
- Low Voltage Coefficient: $<0.1\text{ppm} / \text{V}$
- Non Inductive: $<0.08\mu\text{H}$
- Thermal EMF: $<0.05\mu\text{V} / \text{ }^\circ\text{C}$
- Terminal Finish: Tin / Lead Alloy



SPECIFICATIONS					
DSCC DRAWING NUMBER	CHIP SIZE	RESISTANCE RANGE (Ω)	MAXIMUM POWER at 70 $^\circ\text{C}$ (W)	MAXIMUM TCR [PPM/ $^\circ\text{C}$] (Depending on resistor value)	DSCC POWER RATING
07024	0805	10R to 7K	0.100	± 4 to ± 8	C
			0.200	± 3 to ± 5	D
07025	1206	10R to 12K	0.150	± 4 to ± 8	C
			0.300	± 3 to ± 5	D
03010	1506	10R to 25K	0.200	± 4 to ± 8	B
			0.300	± 3 to ± 5	C
06001	2010	10R to 55K	0.300	± 4 to ± 8	C
			0.500	± 3 to ± 5	D
06002	2512	10R to 65K	0.750	± 4 to ± 8	C
		65K to 100K	0.480	± 3 to ± 5	D



DIMENSIONS AND LAND PATTERN in inches (millimeters)

Bottom View for mounting

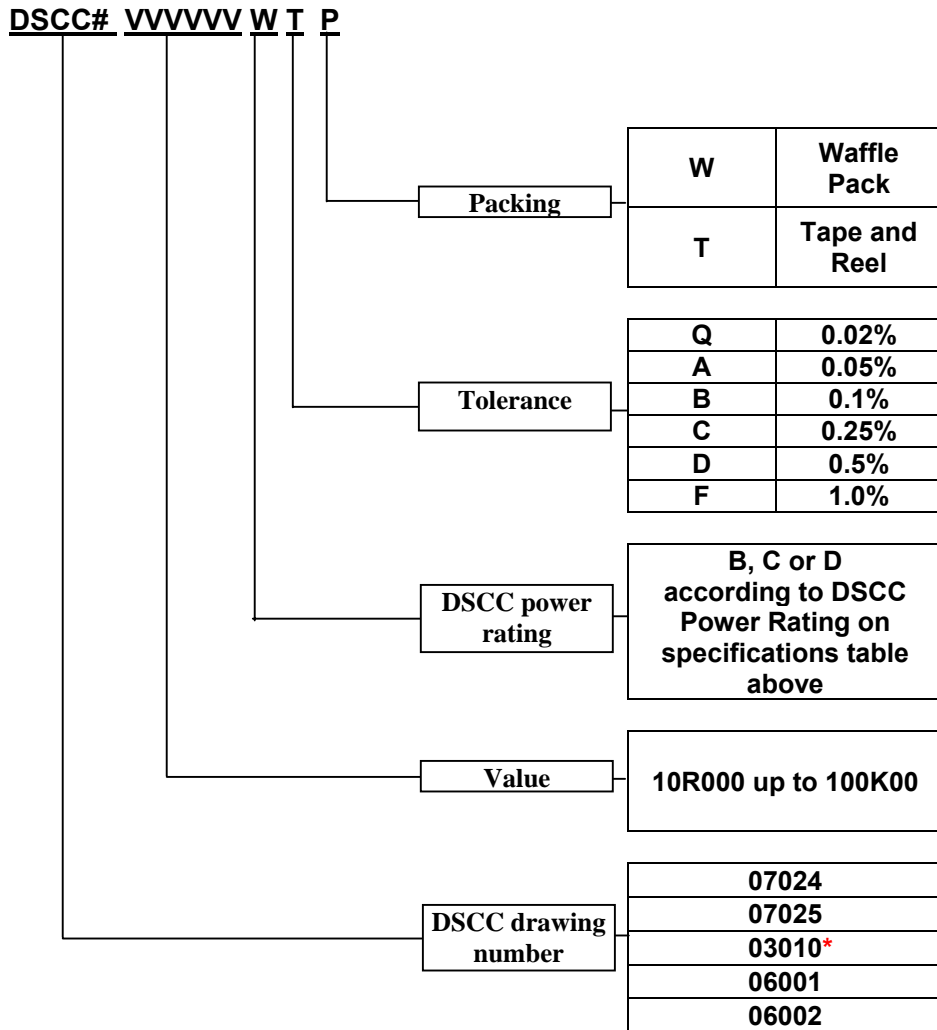
Recommended Land Pattern

CHIP SIZE	L ± 0.005 (0.13)	W ± 0.005 (0.13)	THICKNESS MAXIMUM	D ± 0.005 (0.13)	Z*** MAXIMUM	G*** MINIMUM	X*** MAXIMUM
0805	0.080 (2.03)	0.050 (1.27)	0.025 (0.64)	0.015 (0.38)	0.122 (3.10)	0.028 (0.70)	0.050 (1.27)
1206	0.126 (3.2)	0.062 (1.57)	0.025 (0.64)	0.020 (0.50)	0.175 (4.40)	0.059 (1.50)	0.071 (1.80)
1506	0.150 (3.81)	0.062 (1.57)	0.025 (0.64)	0.020 (0.50)	0.199 (5.05)	0.083 (2.10)	0.071 (1.80)
2010	0.198 (5.03)	0.097 (2.48)	0.025 (0.64)	0.025 (0.84)	0.247 (6.27)	0.115 (2.92)	0.103 (2.63)
2512	0.249 (6.32)	0.127 (3.22)	0.025 (0.64)	0.032 (0.81)	0.291 (7.40)	0.150 (3.80)	0.127 (3.22)

*** Land pattern Dimensions are per IPC-782

PRECISION BULK METAL® FOIL TECHNOLOGY

ORDERING INFORMATION



Example:

To order DSCC resistors, size 2010, with a resistance value of 1,002.5 ohms, 0.500 watts maximum power, tolerance 0.02%, taped and reeled the ordering information would be:

060011K0025DQT

***03010 Tolerance is shown before Power Rating for example:
DSCC# VVVVVV T W P**